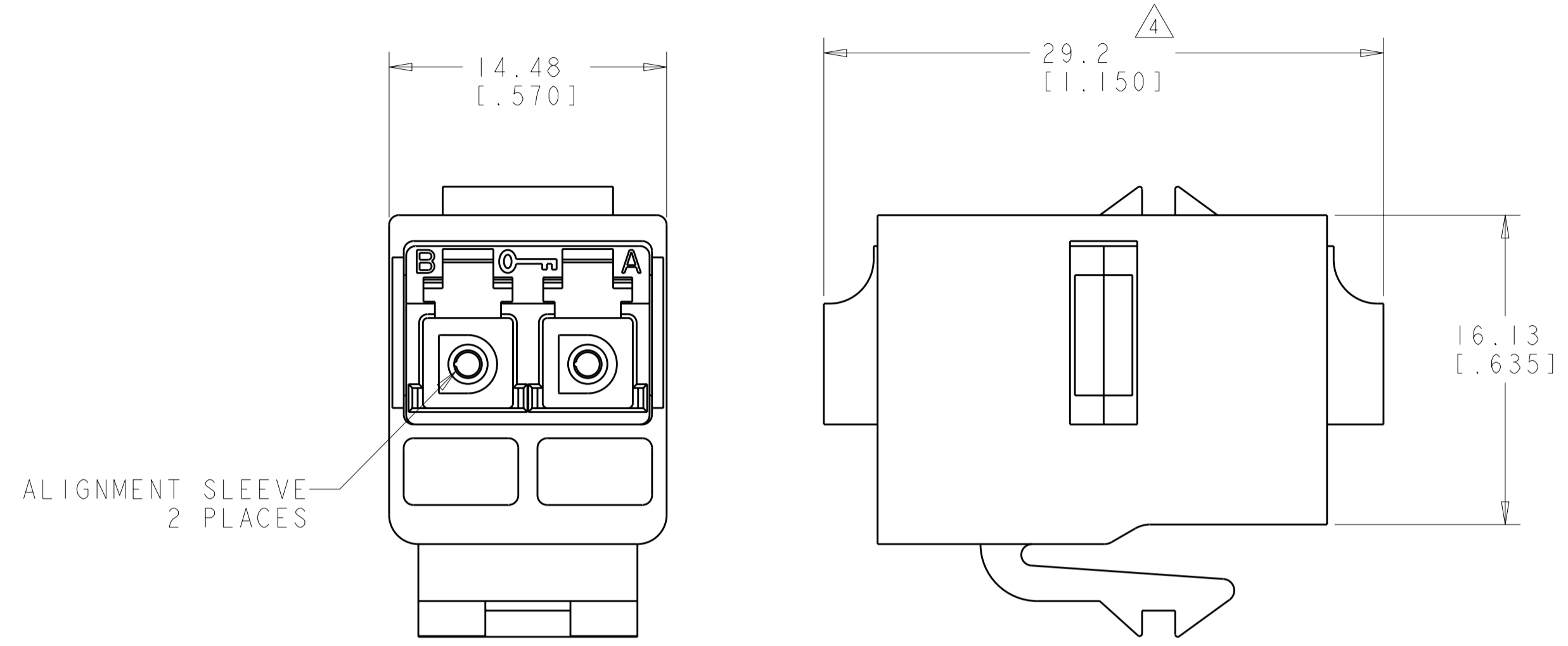


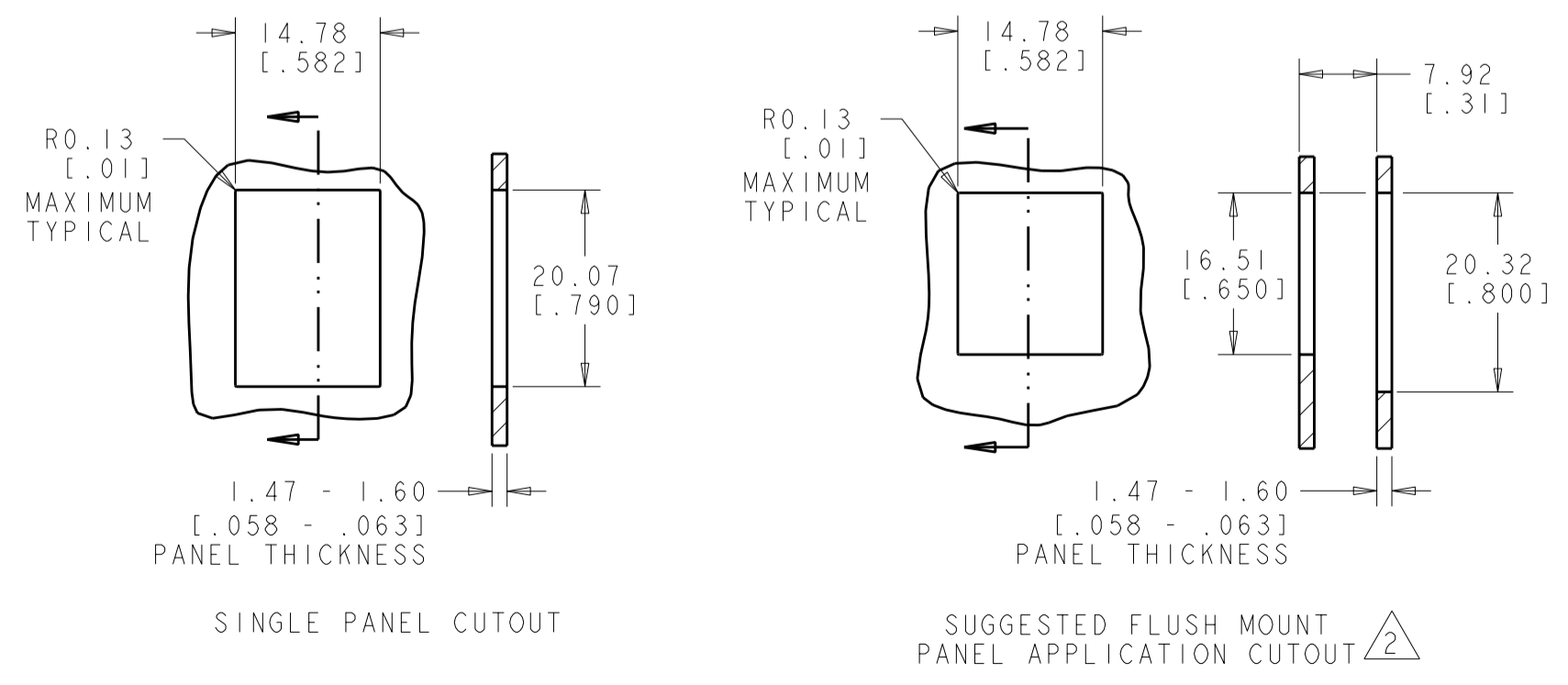
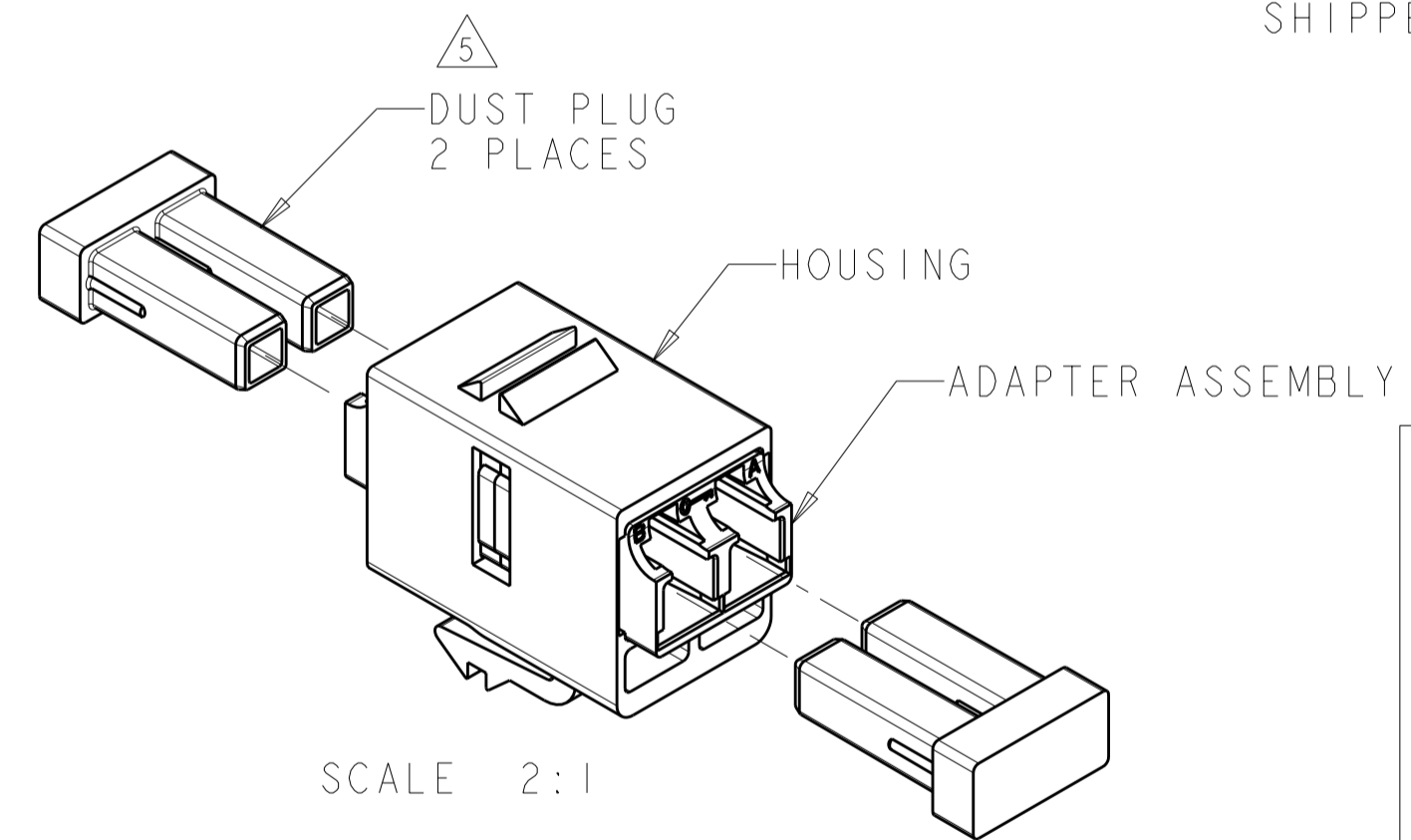
THIS DRAWING IS UNPUBLISHED. RELEASED FOR PUBLICATION 20
 © COPYRIGHT 20 BY TYCO ELECTRONICS CORPORATION. ALL RIGHTS RESERVED.

LOC		DIST		REVISIONS			
P	LTR	DESCRIPTION	DATE	DWN	APVD		
	A	NSD07-063	02OCT2007	JM	GB		



- △1 MATERIAL:
 HOUSING - POLYPHENYLENE OXIDE, 94V-0 RATED. SEE TABLE FOR COLOR.
 ADAPTER ASSEMBLY - HOUSINGS - THERMOPLASTIC, PPE-PS*, SEE TABLE FOR COLOR
 ALIGNMENT SLEEVES - CERAMIC
 DUST PLUGS: THERMOPLASTIC ELASTOMERS*
 *UL 94V-0 RATED AT QUALIFYING THICKNESS
- △2 THESE TWO SUGGESTED CUTOUT OPENINGS ARE USED IN TANDEM WITH DUAL FRONT AND BACK CUTOUTS.
- △3 PACKAGED ONE ASSEMBLY PER POLYBAG.
- △4 DIMENSION APPLIES WITH DUST PLUGS REMOVED.
- △5 DUST PLUGS SHOWN NOT ASSEMBLED BUT SHIPPED ASSEMBLED TO DUPLEX LC ADAPTER.

ALIGNMENT SLEEVE
2 PLACES



PACKAGE	COLOR	PART NUMBER
	BLACK	1-1933422-1
	SLATE	1-1933422-0
	ORANGE	1933422-9
	VIOLET	1933422-8
	BROWN	1933422-7
	AQUA	1933422-6
	ROSE	1933422-5
	BLUE	1933422-4
	GREEN	1933422-3
	YELLOW	1933422-2
	RED	1933422-1

THIS DRAWING IS A CONTROLLED DOCUMENT FOR TYCO ELECTRONICS CORPORATION. IT IS SUBJECT TO CHANGE AND THE CONTROLLING ENGINEERING ORGANIZATION SHOULD BE CONTACTED FOR THE LATEST REVISION.		DWN J. MCNEAL 02OCT2007	Tyco Electronics Harrisburg, PA 17105-3608	
DIMENSIONS: [MM [INCHES]]		CHK G. BOWMAN 02OCT2007	NAME ADAPTER, DUPLEX, LC, SECURE, SL	
TOLERANCES UNLESS OTHERWISE SPECIFIED:		APVD G. BOWMAN 02OCT2007	SIZE A2 CAGE CODE 00779 DRAWING NO. 1933422	
0 PLC ±		PRODUCT SPEC	RESTRICTED TO	
1 PLC ±		APPLICATION SPEC	-	
2 PLC ±		WEIGHT	-	
3 PLC ±		CUSTOMER DRAWING	SCALE 4:1 SHEET 1 OF 1 REV A	
4 PLC ±				
ANGLES ±				
FINISH				